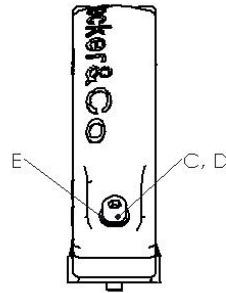
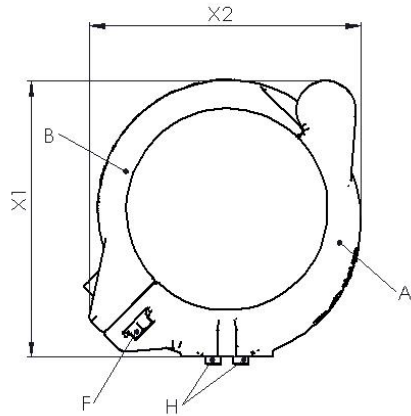
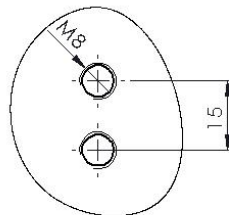
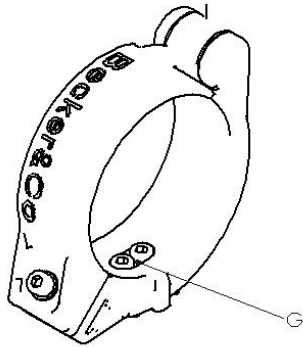


Data sheet support compact design



connection diagram



	support BC 67 (4.067.007)	support BC90 (4.090.007)	support BC 117 (4.117.007)
A	support base 4.067.017	support base 4.090.017-1	support base 4.117.017-1
B	support upper part 4.067.010	support upper part 4.090.010-1	support upper part 4.117.010-1
C	screw DIN 912 M8 x 30	screw DIN 912 M8 x 35	screw DIN 912 M8 x 35
D	flat seal 12.00 x 6.00 x 2.00 NBR	flat seal 12.00 x 6.00 x 2.00 NBR	flat seal 12.00 x 6.00 x 2.00 NBR
E	washer DIN 125 A 8.4x16x1.6	washer DIN 125 A 8.4x16x1.6	washer DIN 125 A 8.4x16x1.6
F	flange nut 3.208.000	flange nut 3.208.000	flange nut 3.208.000
G	washer 4.117.040	washer 4.117.040	washer 4.117.040
H	screw DIN 912 M8 x 18	screw DIN 912 M8 x 16	screw DIN 912 M8 x 20
X1 / X2 / X3	95 / 90 / 30	120 / 120 / 40	150 / 150 / 45
weight	140	260	450