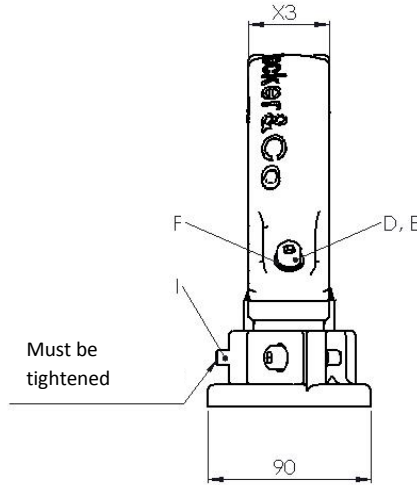
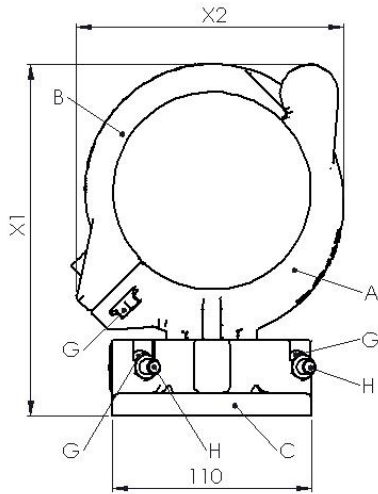
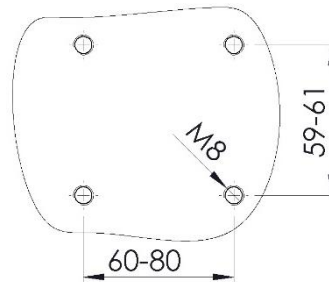
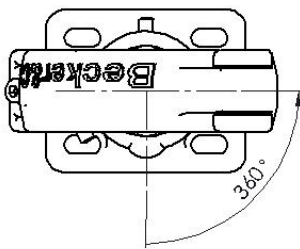


Data sheet support with base plate



connection diagram



	support BC 67 (4.067.004)	support BC90 (4.090.004)	support BC 117 (4.117.004)
A	support base 4.067.015	support base 4.090.015-1	support base 4.117.016-1
B	support upper part 4.067.010-1	support upper part 4.090.010-1	support upper part 4.117.010-1
C	base plate for support 4.117.020-1	base plate for support 4.117.020-1	base plate for support 4.117.020-1
D	screw DIN 912 M8 x 30	screw DIN 912 M8 x 35	screw DIN 912 M8 x 35
E	flat seal 12.00 x 6.00 x 2.00 NBR	flat seal 12.00 x 6.00 x 2.00 NBR	flat seal 12.00 x 6.00 x 2.00 NBR
F	washer DIN 125 A 8.4x16x1.6	washer DIN 125 A 8.4x16x1.6	washer DIN 125 A 8.4x16x1.6
G	flange nut 3.208.000	flange nut 3.208.000	flange nut 3.208.000
H	screw DIN 912 M8 x 35	screw DIN 912 M8 x 35	screw DIN 912 M8 x 35
I	socket set screw cup point DIN 916 M8 x 16	socket set screw cup point DIN 916 M8 x 16	socket set screw cup point DIN 916 M8 x 16
X1 / X2 / X3	140mm / 90mm / 30mm	170mm / 120mm / 40mm	195mm / 150mm / 45mm
weight	460g	590g	760g

BECKER GmbH
Heinrich-Leggewie-Str.10
D-48249 Dülmen

Tel.: +49 (0) 2594 9464
Fax: +49 (0) 2594 9464-240
E-mail: Info@becker-robotic.de
Home: www.becker-robotic.de

